

# SPEQ -S

## Small Cylinder Track Head



### Features

Designed to let the interior design and not the lighting take center stage, the SPEQ track head from Amerlux balances clean, minimal aesthetic design with industry leading optical performance. The fixture has no visible heat sink or venting and has snoot perfectly matched to provide excellent glare control while maintaining the clean fixture lines. The integral driver is fully featured with low end dimming and full 2.5 KV surge protection (not a lamp driver!) Perfect for Galleries, Retail and Commercial interiors SPEQ uses high end optical designs to ensure your space is lit perfectly and efficiently.

### Product Overview

|               |   |
|---------------|---|
| Type:         | Track Accent & Display  |
| Wattage:      | 9W, 15W   |
| Lumen Output: | 1,310 max (15W, Spot optic), 89.5 lm/W                        |
| CBCP:         | 9,393 max (15W, Spot optic)                                   |
| Color Temp:   | 2200K, 2700K, 3000K, 3500K, 4000K                             |
| CRI:          | 83 typ. & 90+ typ.<br>CrispWhite & 3K Class A LED's available |
| Dimming:      | TRIAC & ELV (120V) - 5% Dim                                   |

PROJECT:

TYPE:

### Fixture Summary *(see following pages for more information)*

#### Performance Chart

| Nominal Watts | Delivered Lumens | LPW  | CBCP  | Color Temp |
|---------------|------------------|------|-------|------------|
| 9             | 812              | 91   | 5,824 | 3000K-83   |
| 15            | 1,310            | 89.5 | 9,393 | 3000K-83   |

*Data is based on 3000K-83 IES files available on website.*

*Data is based on Spot optic.*

#### Electrical Data

|      | 9W           |      | 15W          |      |
|------|--------------|------|--------------|------|
|      | System Watts | Amps | System Watts | Amps |
| 120V | 9            | 0.08 | 15           | 0.13 |
| 277V | N/A          | N/A  | N/A          | N/A  |

*Electronic constant current LED driver*



# SPEQ-S

Small Cylinder Track Head



## PROJECT:

## TYPE:

### Ordering Information



- 1** Model  
SPEQ-S-A17<sup>†</sup>
- 2** Wattage  
9  
15
- 3** Finish  
WT - white texture  
BT - black texture  
ST - silver texture  
*Other finishes, consult factory*
- 4** Mounting  
TN1 - Global 1cir/H-Style, 120V  
TEK - Global 2cir/2neut, 120V  
TN3 - Global 3cir, 120V  
CT - J-Style, 120V  
LOL - L-Style, 120V  
B\* - busway, 120V  
C - canopy, 120V  
CCL2-SCP - C-clamp, black, with straight cord\*\*, 6'  
CCL2-CCP - C-clamp, black, with coil cord\*\*, 5'  
Notes: \*Black busway adapter used for ST finish  
\*\*Black cord used for BT & ST finish,  
White cord used for WT finish
- 5** Voltage  
120
- 6** Beam Spreads  
SP - spot 15°  
NF - narrow flood 22°  
MFL - med flood 25°  
FL - flood 28°  
WF wide flood 45°  
VWF - very wide flood 60°  
LS - linear spread 60° x 10°
- 7** Color Temp  
83 CRI:                    90+ CRI:  
27 - 2700K-83    229 - 2200K-90+    CRISP - CrispWhite  
30 - 3000K-83    279 - 2700K-90+    3CLA - 3K Class A  
35 - 3500K-83    309 - 3000K-90+  
40 - 4000K-83    359 - 3500K-90+  
409 - 4000K-90+
- 8** Driver  
LE/TE - TRIAC/ELV dimming, 120V only
- 9** Options/Accessories  
SN - snoot  
HEX - hexcell louver  
SOL - solite beam softening lens  
LS - linear spread lens  
CB - cross blade (requires snoot)

† The "A" refers to the sequential revision in a year and "xx" refers to the year of update. Updates coincide with improved performance while not changing the overall fixture aesthetic and are reflected in the published performance data. Please contact your Amerlux representative for explanations of changes.

# SPEQ-S

Small Cylinder Track Head



## PROJECT:

## TYPE:

### Specifications

#### Application

Retail, Museum, Gallery, Hospitality and Commercial accent and display lighting

#### Construction

Complete die-cast aluminum construction  
No exposed wiring  
Unique magnetic dual lock front door

#### Optical

Amerlux Designed TIR optical system  
0-90° tilt, 360° rotation  
Tilt indicating marks for common tilt positioning  
**Beam Spreads:** Spot 15°, Narrow Flood 22°  
Medium Flood 25°, Flood 28°, Wide Flood 45°  
Very Wide Flood 60°, Linear Spread 60° x 10°

#### LED

##### Color Temp Options:

2200K, 2700K, 3000K, 3500K, 4000K

CRI: 83 typ. (2700K, 3000K, 3500K, 4000K)

90+ typ. (2200K, 2700K, 3000K, 3500K, 4000K)

CrispWhite\* and Class A\*\* 3000K LEDs available

R9 Values: 11 (83 CRI), 55 (90+ CRI)

Binning: 3 MacAdam (SDCM)

Life: 50,000+ hrs, > 70% of initial lumens at 50,000 hrs

*\*CrispWhite: CrispWhite Technology delivers the warmth of colors expected from a high 90 CRI solution but also creates the natural crisp white color similar to CMH sources. It creates impactful lighting by revealing the richest whites and vibrant colors that pop.*

*\*\*Class A LED: Class A LED's have a CRI > 80 and a GAI > 80. CRI defines color "Naturalness" and GAI defines color "Saturation." Both being high delivers rich colors and pure whites.*

#### Electrical

Wattage: 9, 15

Electronic constant current LED driver, 120V input

**This product complies with IEEE C62.41 for surge endurance up to 2.5KV. Amerlux® recommends using additional surge protection with this unit (supplied by others), surge and over voltage damage is not covered under warranty.**

#### Driver

LE/TE - Leading Edge (Triac, Forward Phase) or Trailing Edge (ELV, Reverse Phase) autosensing driver dims down to less than 5% on most dimming system.

Driver rated for A/C voltage input +/- 10%

See dimming page for more information.

#### Finish

Powder coat paint.

**Standard colors:** White Texture, Black Texture, Silver Texture

Consult factory for custom RAL powder coat finishes

#### Mounting

Track, canopy, c-clamp and busway.

**Note: Ceiling mounted track only**

#### Certifications

Approved to UL standards as tested by CSA.

Intended for indoor use only.

#### Warranty

5 year limited warranty

# SPEQ-S

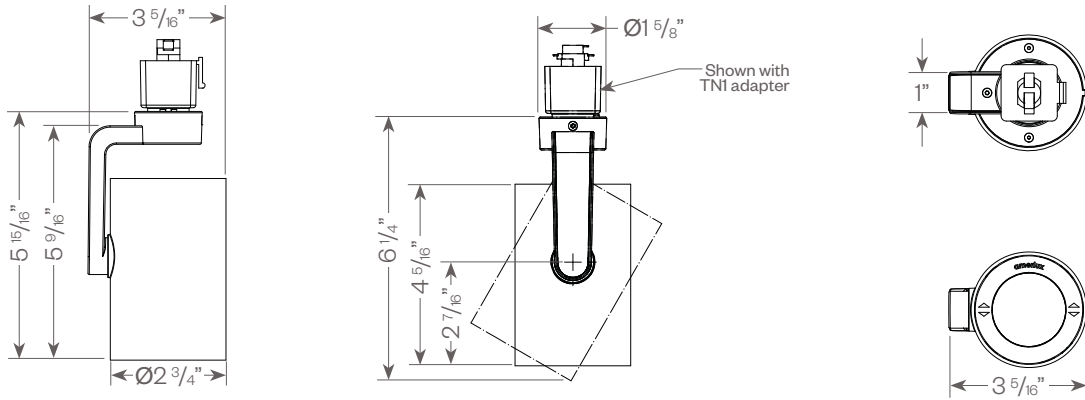
Small Cylinder Track Head



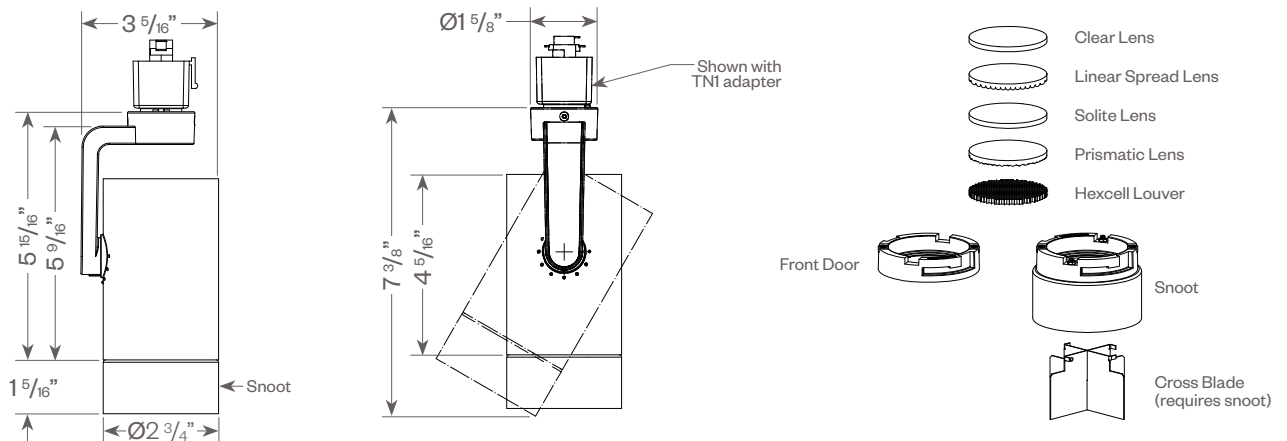
PROJECT:

TYPE:

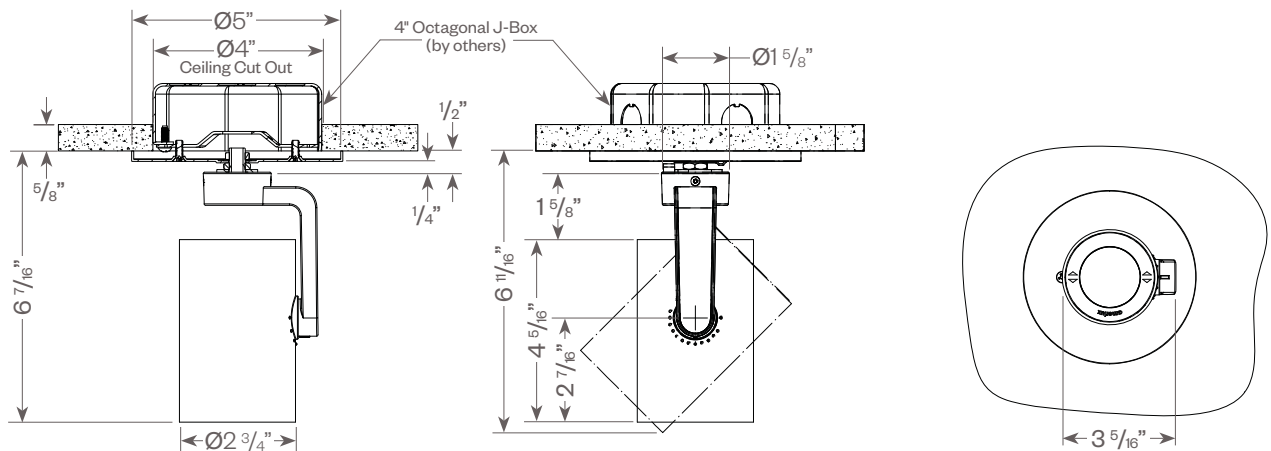
## SPEQ-S



## SPEQ-S SNOOT & ACCESSORIES



## SPEQ-S CANOPY MOUNT



# SPEQ-S

Small Cylinder Track Head



**PROJECT:**

**TYPE:**

**FIXTURE DATA:** (Complete photometric data (.ies format) available upon request)

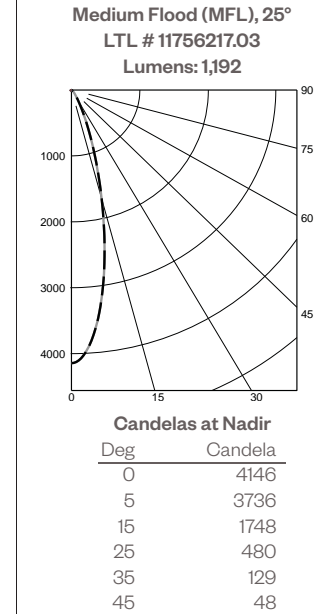
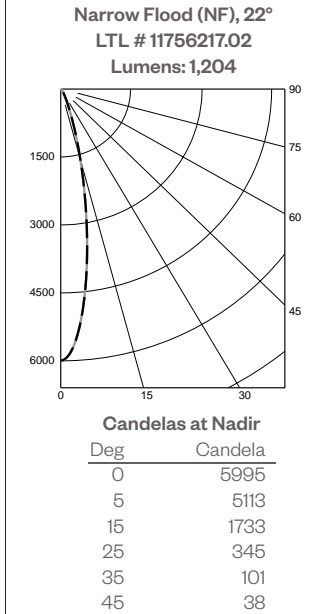
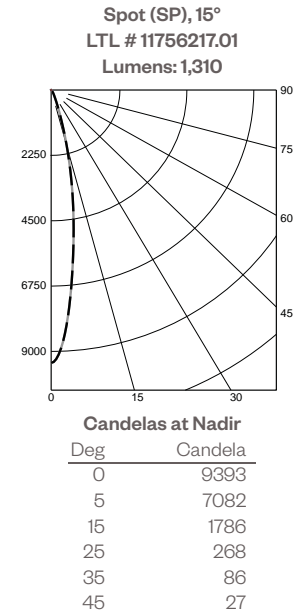
**MULTIPLYING FACTORS:** (Multiplying Factor is based on 3000K-83 120V IES file on website)

|                 |           |            |
|-----------------|-----------|------------|
| <b>Wattage:</b> | <b>9W</b> | <b>15W</b> |
| Factor:         | 0.62      | 1.0        |

|             |                 |                 |                 |                 |
|-------------|-----------------|-----------------|-----------------|-----------------|
| <b>CCT:</b> | <b>2700K-83</b> | <b>3000K-83</b> | <b>3500K-83</b> | <b>4000K-83</b> |
| Factor:     | 0.96            | 1.0             | 1.02            | 1.04            |

|             |                  |                  |                  |                  |              |             |
|-------------|------------------|------------------|------------------|------------------|--------------|-------------|
| <b>CCT:</b> | <b>2200K-90+</b> | <b>2700K-90+</b> | <b>3000K-90+</b> | <b>3500K-90+</b> | <b>CRISP</b> | <b>3CLA</b> |
| Factor:     | 0.71             | 0.80             | 0.83             | 0.87             | 0.65         | 0.75        |

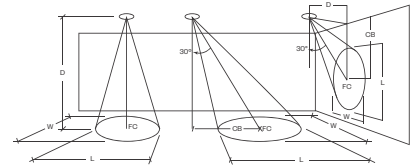
**15W LED, 3000K (For FL, WF & VWF beam options see pg 6)**



**APPLICATION DATA:**

**Notes and Definitions:**

- Beam spread is to 50% center beam candlepower (CBCP).
- D=Distance to floor or wall.
- FC=Footcandles on floor or wall at center beam aiming location.
- L=Effective Visual Beam length in feet (50% of maximum footcandle level).
- W=Effective Visual Beam width in feet (50% of maximum footcandle level).
- CB=Distance across or down to center beam location.



|                     | 0° Aiming Angle<br>Horizontal<br>Footcandles |     |     |     | 30° Aiming Angle<br>Horizontal<br>Footcandles |     |     |     |     | 30° Aiming Angle<br>Vertical<br>Footcandles |     |     |     |     | 60° Aiming Angle<br>Vertical<br>Footcandles |     |     |     |     |
|---------------------|--|-----|-----|-----|---|-----|-----|-----|-----|---|-----|-----|-----|-----|---|-----|-----|-----|-----|
|                     | D  | FC  | L   | W   | D   | FC  | L   | W   | CB  | D   | FC  | L   | W   | CB  | D   | FC  | L   | W   | CB  |
| <b>SPOT</b>         | 5.0'   | 375 | 1.5 | 1.5 | 5.0'  | 242 | 2.1 | 1.7 | 3.0 | 3.0'  | 141 | 3.3 | 1.8 | 5.0 | 3.0'  | 513 | 1.7 | 1.2 | 2.0 |
|                     | 7.5'   | 167 | 2.3 | 2.3 | 7.5'  | 108 | 3.1 | 2.7 | 4.0 | 4.0'  | 85  | 4.1 | 2.4 | 6.0 | 4.0'  | 364 | 1.7 | 1.4 | 2.0 |
|                     | 10.0'  | 94  | 3.1 | 3.1 | 10.0'   | 60  | 4.1 | 3.6 | 6.0 | 5.0'  | 53  | 5.2 | 3.0 | 8.0 | 5.0'  | 235 | 2.1 | 1.7 | 3.0 |
|                     | 12.5'  | 60  | 3.8 | 3.8 | 12.5'   | 40  | 5.0 | 4.4 | 7.0 | 6.0'  | 38  | 6.3 | 3.5 | 9.0 | 6.0'  | 162 | 2.6 | 2.2 | 3.0 |
| <b>NARROW FLOOD</b> | 5.0'   | 272 | 1.7 | 1.7 | 5.0'  | 155 | 2.5 | 2.2 | 3.0 | 3.0'  | 108 | 3.3 | 1.9 | 4.0 | 3.0'  | 353 | 1.9 | 1.3 | 2.0 |
|                     | 7.5'   | 116 | 2.8 | 2.8 | 7.5'  | 72  | 3.6 | 3.2 | 4.0 | 4.0'  | 59  | 4.6 | 2.8 | 6.0 | 4.0'  | 249 | 1.9 | 1.6 | 2.0 |
|                     | 10.0'  | 64  | 3.6 | 3.6 | 10.0'   | 40  | 4.8 | 4.3 | 5.0 | 5.0'  | 39  | 5.5 | 3.3 | 7.0 | 5.0'  | 151 | 2.5 | 2.2 | 3.0 |
|                     | 12.5'  | 41  | 4.6 | 4.6 | 12.5'   | 26  | 6.0 | 5.3 | 7.0 | 6.0'  | 27  | 6.9 | 4.0 | 8.0 | 6.0'  | 111 | 3.0 | 2.6 | 3.0 |
| <b>MEDIUM FLOOD</b> | 5.0'   | 166 | 2.3 | 2.3 | 5.0'  | 119 | 2.8 | 2.6 | 3.0 | 3.0'  | 83  | 3.6 | 2.4 | 4.0 | 3.0'  | 252 | 2.2 | 1.6 | 2.0 |
|                     | 7.5'   | 74  | 3.4 | 3.4 | 7.5'  | 54  | 4.1 | 3.7 | 4.0 | 4.0'  | 47  | 4.7 | 3.0 | 5.0 | 4.0'  | 177 | 2.3 | 2.0 | 2.0 |
|                     | 10.0'  | 42  | 4.5 | 4.5 | 10.0'   | 30  | 5.5 | 5.0 | 5.0 | 5.0'  | 30  | 6.0 | 3.8 | 6.0 | 5.0'  | 105 | 3.0 | 2.7 | 3.0 |
|                     | 12.5'  | 27  | 5.6 | 5.6 | 12.5'   | 19  | 7.0 | 6.3 | 6.0 | 6.0'  | 21  | 7.4 | 4.7 | 8.0 | 6.0'  | 79  | 3.5 | 3.1 | 3.0 |

# SPEQ-S

Small Cylinder Track Head



**PROJECT:**

**TYPE:**

**FIXTURE DATA:** (Complete photometric data (.ies format) available upon request)

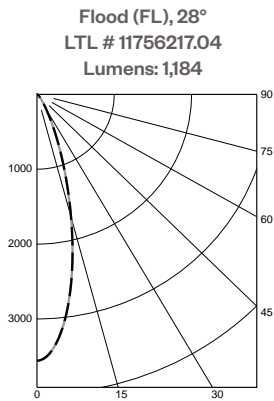
**MULTIPLYING FACTORS:** (Multiplying Factor is based on 3000K-83 120V IES file on website)

|                 |           |            |
|-----------------|-----------|------------|
| <b>Wattage:</b> | <b>9W</b> | <b>15W</b> |
| Factor:         | 0.62      | 1.0        |

|             |                 |                 |                 |                 |
|-------------|-----------------|-----------------|-----------------|-----------------|
| <b>CCT:</b> | <b>2700K-83</b> | <b>3000K-83</b> | <b>3500K-83</b> | <b>4000K-83</b> |
| Factor:     | 0.96            | 1.0             | 1.02            | 1.04            |

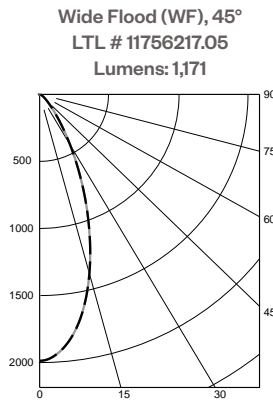
|             |                  |                  |                  |                  |              |             |
|-------------|------------------|------------------|------------------|------------------|--------------|-------------|
| <b>CCT:</b> | <b>2200K-90+</b> | <b>2700K-90+</b> | <b>3000K-90+</b> | <b>3500K-90+</b> | <b>CRISP</b> | <b>3CLA</b> |
| Factor:     | 0.71             | 0.80             | 0.83             | 0.87             | 0.65         | 0.75        |

**15W LED, 3000K (For SP, NF & MFL beam options see pg 5)**



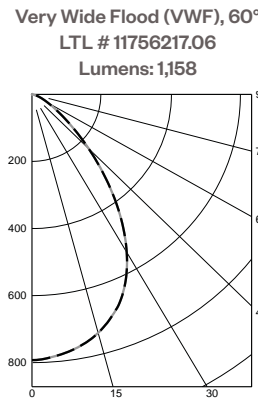
**Candelas at Nadir**

| Deg | Candela |
|-----|---------|
| 0   | 3558    |
| 5   | 3263    |
| 15  | 1717    |
| 25  | 539     |
| 35  | 144     |
| 45  | 51      |



**Candelas at Nadir**

| Deg | Candela |
|-----|---------|
| 0   | 1987    |
| 5   | 1904    |
| 15  | 1378    |
| 25  | 702     |
| 35  | 259     |
| 45  | 88      |



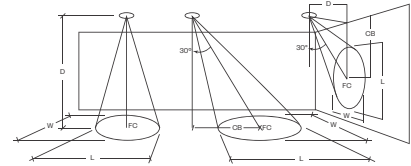
**Candelas at Nadir**

| Deg | Candela |
|-----|---------|
| 0   | 792     |
| 5   | 783     |
| 15  | 735     |
| 25  | 629     |
| 35  | 440     |
| 45  | 231     |

**APPLICATION DATA:**

**Notes and Definitions:**

- Beam spread is to 50% center beam candlepower (CBCP).
- D=Distance to floor or wall.
- FC=Footcandles on floor or wall at center beam aiming location.
- L=Effective Visual Beam length in feet (50% of maximum footcandle level).
- W=Effective Visual Beam width in feet (50% of maximum footcandle level).
- CB=Distance across or down to center beam location.



|                        | 0° Aiming Angle<br>Horizontal<br>Footcandles |      |      |       | 30° Aiming Angle<br>Horizontal<br>Footcandles |      |      |      |      | 30° Aiming Angle<br>Vertical<br>Footcandles |     |     |     |      | 60° Aiming Angle<br>Vertical<br>Footcandles |     |     |     |     |
|------------------------|--|------|------|-------|---|------|------|------|------|---|-----|-----|-----|------|---|-----|-----|-----|-----|
|                        | D  | FC   | L    | W     | D   | FC   | L    | W    | CB   | D   | FC  | L   | W   | CB   | D   | FC  | L   | W   | CB  |
| <b>FLOOD</b>           | 5.0'   | 143  | 2.5  | 2.5   | 5.0'  | 119  | 2.8  | 2.6  | 3.0  | 3.0'  | 73  | 3.6 | 2.6 | 4.0  | 3.0'  | 219 | 2.3 | 1.7 | 1.0 |
|                        | 7.5'   | 64   | 3.6  | 3.6   | 7.5'  | 54   | 4.1  | 3.7  | 4.0  | 4.0'  | 43  | 4.8 | 3.3 | 5.0  | 4.0'  | 154 | 2.5 | 2.3 | 2.0 |
|                        | 10.0'  | 36   | 4.9  | 4.9   | 10.0'   | 30   | 5.5  | 4.9  | 5.0  | 5.0'  | 28  | 6.1 | 4.0 | 6.0  | 5.0'  | 92  | 3.3 | 2.9 | 2.0 |
|                        | 12.5'  | 23   | 6.1  | 6.1   | 12.5'   | 19   | 7.0  | 6.3  | 6.0  | 6.0'  | 19  | 7.5 | 4.9 | 7.0  | 6.0'  | 69  | 3.7 | 3.4 | 3.0 |
| <b>WIDE FLOOD</b>      | D  | FC   | L    | W     | D   | FC   | L    | W    | CB   | D   | FC  | L   | W   | CB   | D   | FC  | L   | W   | CB  |
|                        | 5.0'   | 80   | 3.3  | 3.3   | 5.0'  | 57   | 3.9  | 3.6  | 2.0  | 3.0'  | 55  | 3.8 | 2.9 | 3.0  | 3.0'  | 154 | 2.4 | 2.1 | 1.0 |
|                        | 7.5'   | 36   | 5.0  | 5.0   | 7.5'  | 26   | 5.9  | 5.4  | 3.0  | 4.0'  | 31  | 4.9 | 3.8 | 4.0  | 4.0'  | 88  | 3.3 | 3.0 | 2.0 |
|                        | 10.0'  | 20   | 6.6  | 6.6   | 10.0'   | 14   | 7.8  | 7.3  | 4.0  | 5.0'  | 20  | 6.3 | 4.9 | 5.0  | 5.0'  | 58  | 4.0 | 3.6 | 2.0 |
| 12.5'                  | 13   | 8.3  | 8.3  | 12.5' | 9   | 9.9  | 9.2  | 5.0  | 6.0' | 14  | 7.6 | 5.8 | 6.0 | 6.0' | 40  | 4.9 | 4.5 | 3.0 |     |
| <b>VERY WIDE FLOOD</b> | D  | FC   | L    | W     | D   | FC   | L    | W    | CB   | D   | FC  | L   | W   | CB   | D   | FC  | L   | W   | CB  |
|                        | 5.0'   | 32   | 5.4  | 5.4   | 5.0'  | 27   | 5.1  | 5.5  | 1.0  | 3.0'  | 40  | 3.4 | 3.5 | 2.0  | 3.0'  | 73  | 3.2 | 3.4 | 1.0 |
|                        | 7.5'   | 14   | 8.1  | 8.1   | 7.5'  | 12   | 7.9  | 8.3  | 2.0  | 4.0'  | 22  | 4.6 | 5.0 | 2.0  | 4.0'  | 43  | 4.2 | 4.3 | 1.0 |
|                        | 10.0'  | 8    | 10.9 | 10.9  | 10.0'   | 7    | 9.4  | 10.0 | 2.0  | 5.0'  | 15  | 5.5 | 6.0 | 3.0  | 5.0'  | 28  | 5.3 | 5.4 | 1.0 |
| 12.5'                  | 5  | 14.1 | 14.1 | 12.5' | 5   | 13.9 | 14.6 | 3.0  | 6.0' | 10  | 6.8 | 7.4 | 4.0 | 6.0' | 19  | 6.3 | 6.7 | 1.0 |     |

# SPEQ-S

Small Cylinder Track Head



## PROJECT:

## TYPE:

### DIMMING COMPATIBILITY:

Amerlux® Speq fixtures are compatible with all major dimming protocols prevalent in the United States. Please see below for general compatibilities and wiring diagrams. Amerlux recommends testing your unique dimming configuration as the exact full configuration (Dimmer, Fixture Quantity, Voltage, etc) may affect dimming performance.

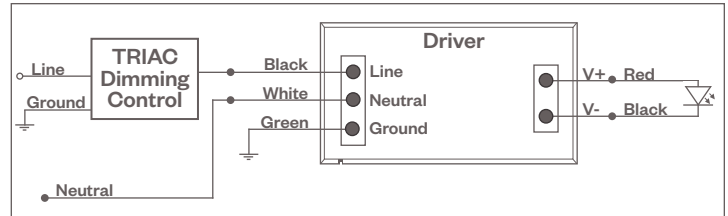
### TRIAC (Forward Phase) DIMMING (Standard)

Utilizes “Standard” incandescent dimmers that are in wide use in installations across the US .

#### Notes:

- 120V only
- Dims down to less than 5% light output (most cases)
- Consult Dimming manufacturer for installation instructions - DO NOT SHARE NEUTRALS!
- Must meet dimmer Minimum Load Requirements per dimming manufacturer

TRIAC Wiring Diagram



#### Compatible Dimmers

##### Wall Box (Incandescent Style, Wattage as required)

|                  |                  |
|------------------|------------------|
| Lutron “Diva”    | Lutron “Vareo”   |
| Lutron “Nova-T”  | Lutron “Skylark” |
| Lutron “Maestro” |                  |

##### Central System

|                             |                      |
|-----------------------------|----------------------|
| ETC “SR” Rack w/D20 Module  | Lutron Grafik Eye QS |
| Lutron “GP” Panel           |                      |
| ETC “DRD” Rack w/D20 Module |                      |

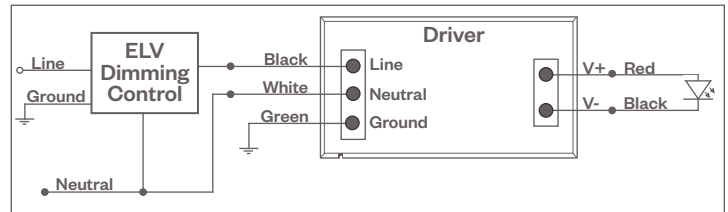
### ELV - Electronic Low Voltage (Reverse Phase) DIMMING (Standard)

Utilizes specialized “ELV” dimmers.

#### Notes:

- 120V only
- Dims down to less than 5% light output (most cases)
- Consult Dimming manufacturer for installation instructions - DO NOT SHARE NEUTRALS!
- Must meet dimmer Minimum Load Requirements per dimming manufacturer

ELV Wiring Diagram



#### Compatible Dimmers

##### Wall Box (ELV Style)

|                    |                  |
|--------------------|------------------|
| Lutron “Diva”      | Lutron “Vareo”   |
| Lutron “Nova-T”    | Lutron “Skylark” |
| Lutron “Maestro”   |                  |
| Leviton “Surslide” | Leviton “Vizio”  |

##### Central System

|                                |                           |
|--------------------------------|---------------------------|
| ETC “SR” Rack w/ELV10 Module   | Lutron Grafik Eye QS with |
| Lutron “GP” Panel with PHPM-PA | PHPM-PA Interface         |
| Interface                      |                           |
| ETC “DRD” Rack w/ELV10 Module  |                           |