

EYELITE™

from EYE Lighting



CB Series LED Bollard

Project:

Type:

Catalog #:

Prepared by:

Date:

Notes:

Applications Include

Pathway, entryway, building perimeter and security lighting for outdoor venues of commercial and institutional buildings and facilities.

Specification Features

A more efficient LED model replaces the pre-existing footprint of a very popular design of conventional HPS or MH bollards, with long lasting reliable performance of SSL technology. This 20W LED luminaire offers 1000 delivered lumens.

Construction

A durable extruded aluminum housing with a flush mount base is designed with vandal-resistant hardware, classic domed top, powdercoat finish ensuring many years of service in outdoor and harsh environments.

Mounting

Kit with 13" anchor bolts

Optics

A clear Polycarbonate Lens protects LEDs. Cast aluminum louvers direct light downward for a pleasing uniform wash of light onto walkways and pathways.

Electrical

Electronic driver accepts 120 to 277V at 50/60hz, with operating temperature range of -20° C to +40° C. The 3-wire power cord facilitates wiring into a junction box or other source. A dimmable driver option is available.

Finish

The durable polyester powdercoat finish withstands the rigors of outdoor exposure, resists salt and corrosion for long-term performance. Dark Bronze and Black available.

Warranty

5 Year Limited LED Luminaire Warranty to the original purchaser that the luminaire shall be free from defects in material and workmanship for up to five (5) years from date of shipment. This limited warranty covers the fixture, LED driver and LEDs when installed and operated according to manufacturer's instructions. See EYE Lighting's full Warranty and Terms & Condition of Sale at www.eyelighting.com.

Listings and Ratings

UL wet location listed. The bollard is tested to IESNA LM-79-08 standards at 25° C ambient. IES files are available at www.eyelighting.com.



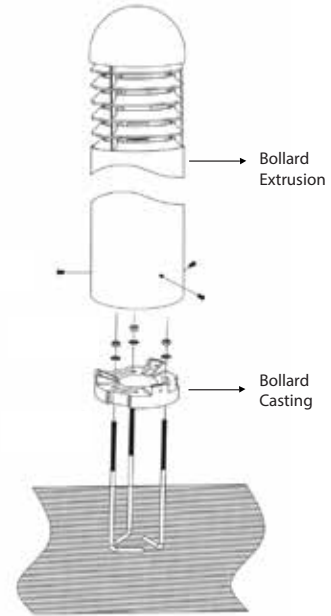
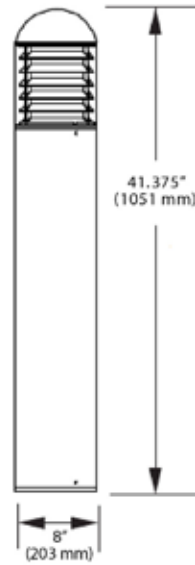
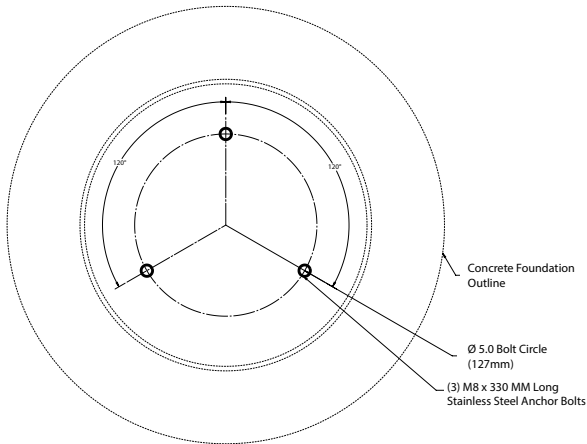
Order Guide

SAMPLE NUMBER : CBR-L1-740-W-UNV-N-DB

FAMILY	SHAPE	WATTAGE / SOURCE	CRI	CCT	DISTRIBUTION	VOLTAGE	FINISH	OPTIONS*
CW	R	L1	7	40	W			S
CB = Classic Bollard	R = 8" Round	L1 = 1000 LM @ 20W	7 = 70	40 = 4000K	W = Wide	UNV = 120-277V UNH = 347V	DB = Dark Bronze BK = Black	S = Surge Protector

* Factory Installed

Anchor Bolt Pattern



Weight 15 lb (7.02 Kg)

Performance Data

Wattage Summary

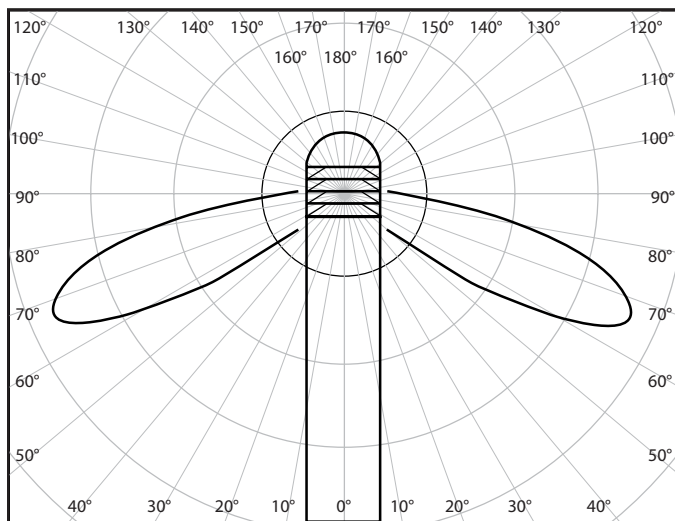
Model	LED Qty.	Drive Current	Luminaire Wattage	Average Lumens	CCT	CRI	Lumen Maintenance (L70 At 25°C)
L1	44	500 mA	20	1,000	4000K	70	50,000 hrs.

Ambient Data

Ambient Temperature	Lumen Multiplier
15°C	1.02
25°C	1.00
40°C	0.98

Photometric Data

Typical Distribution Curve



Estimated footcandles for 41 3/8" Bollard (36" Light Center)	3'	6'	9'	12'	15'	18'
	0.40	1.2	0.33	0.10	0.05	0.03

- Results may vary from test due to power, ambient conditions and individual component performance variations.
- Data is provided to estimate typical performance.
- Engineering estimates and data are based on initial absolute lumens.
- Lumen output may vary 10% due to LED manufacturer flux specification.

- Predicted performance calculated from LED manufacturer data and engineering estimates based on test methodologies of IESNA LM-80, LM-79 and TM-21.
- L70 Hours is the predicted time when LED performance depreciates to 70% of initial lumen output.
- EYE Lighting reserves the right to change materials or modify the design of its product without notification.

- Consult factory for lead time and availability.
- Other modes of failure could occur after the 60,000 hour period
- Reference photometric data sheet for lumen levels based on color temperature and distribution type

EYE Lighting International of North America, Inc.
a division of Iwasaki Electric of Japan

9150 Hendricks Road
Mentor, Ohio 44060

Tel: (888) 665-2677
Fax: (440) 350-7001



Representante Exclusivo
Bosque de Ciruelos No. 190 Int. 204-205 Col. Bosques de las Lomas, CDMX 11700
Tel: +52 55 5251 2008 / info@bhpenery.mx / ventas@bhpenery.mx
©2016 BHP Energy México. Todos los derechos reservados. www. bhpenery.mx

www.eyelighting.com